



# Industrial Diaphragm Pumps

A GLOBAL LEADER IN PUMP SOLUTIONS

**FLOJET**

a xylem brand

# Introduction

## Diaphragm Pump Product Range

### FEATURES

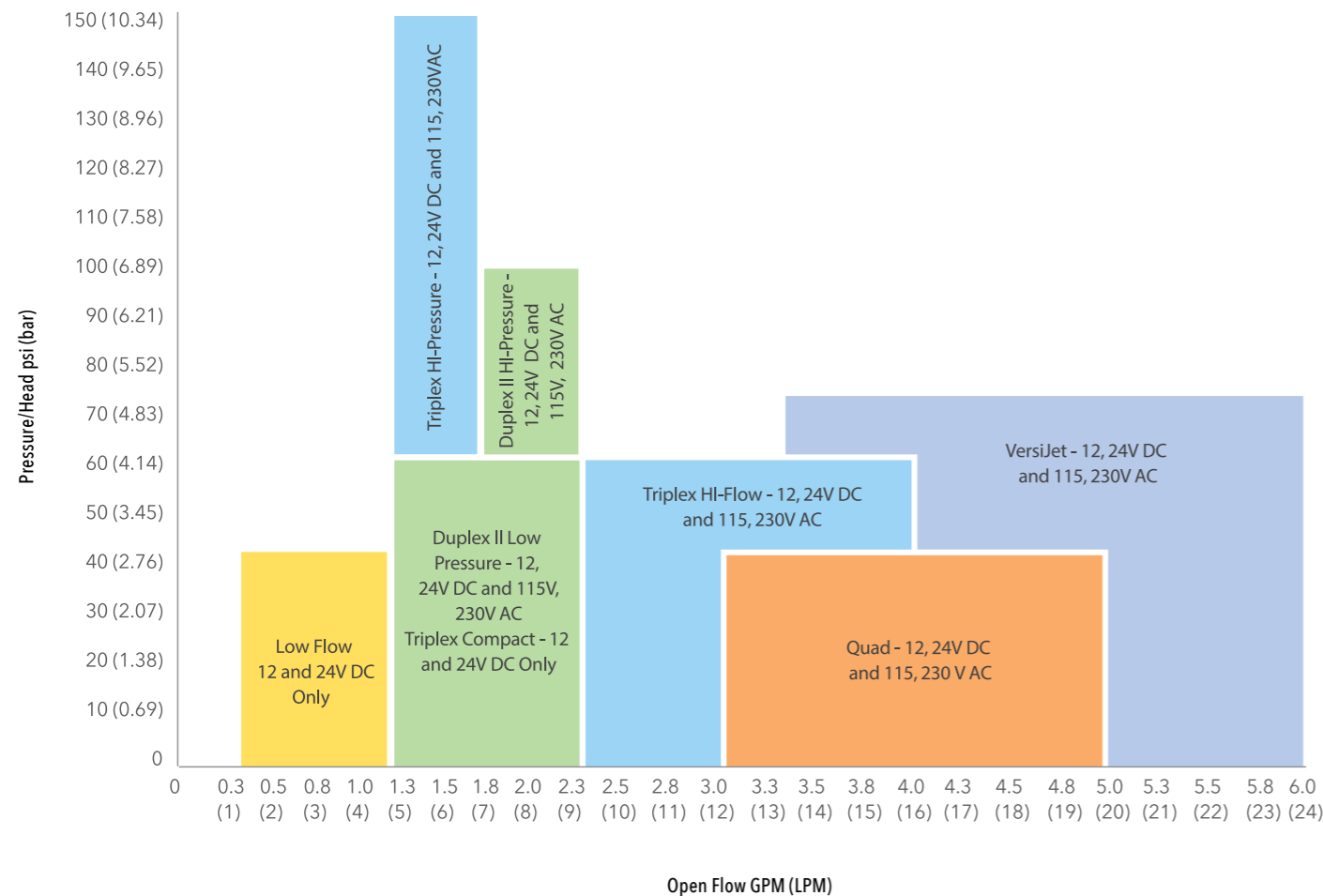
Expect only the best. With over 30 years of pump design and manufacturing experience, Flojet is committed to delivering the hardest-working and longest-lasting pumps. No matter the application, Flojet can provide a superior pump to match all your requirements.

Operational "Box" for Flojet diaphragm pumps (Options below are not available to all ranges.)

<b>PRESSURE</b>	0-150 psi (0-10 bar)
<b>OPEN FLOW</b>	0.3-6 GPM (1.1-22.7 LPM)
<b>ELASTOMERS</b>	EP/PP blend, FKM, FFKM, buna, buna/PP blend, EPDM, silicone
<b>BODY MATERIALS</b>	Polypropylene, celcon, nylon
<b>SWITCH RANGE</b>	20-150 psi (1.4-10 bar) or no switch
<b>BYPASS RANGE</b>	15-150 psi (1-10.4 bar) or no bypass
<b>POWER</b>	Electric: 12-36V DC, 110V AC, 230V AC Gas: air, CO <sub>2</sub> , or Nitrogen

COMMON BRAND ID	
BRAND NAME	ELASTOMER MATERIAL
Geolast	Buna/PP blend
Kalrez	Perfluoroelastomer (FFKM)
Santoprene	EP/PP blend
Viton	FKM

The above defines the box for Flojet's standard products. As Flojet is also a motor manufacturer, we are capable of providing specific solutions to your pumping needs. If the above range is not suitable, please contact the factory to learn about our full range of Flojet diaphragm pumps.



**GAS WARNING**  
No pump manufactured by Xylem should be used for gasoline or any fluid with a flash point below 100°F (38°C).

# Introduction

### SELF-PRIMING – WET AND DRY

- Dry vertical lift from 2.5 (0.8m) up to an outstanding 27.9' (8.5m)

### CAN RUN DRY WITHOUT DAMAGE

- Flojet diaphragm pumps can run dry for extended periods with no damage
- Compatible with a wide range of chemicals
- Sealless design (no shaft seal, so less leak issues)

### COMPACT SIZE AND LOW WEIGHT

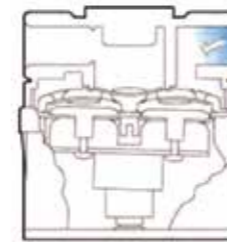
- Highest flow rates for their size
- Plug-in ports for easy installation and servicing
- Flojet pumps can be mounted easily anywhere with functional mounting platforms and simple connections – fit it anywhere and plumb up

### SERVICE KITS AVAILABLE

- Modular design
- Low-cost, low-maintenance design means a trouble-free service life
- Spare parts and accessories are readily available and easy to install

### THE PRINCIPLE BEHIND POSITIVE DISPLACEMENT DIAPHRAGM PUMPS

Motor Driven



Self-priming design allows pumps to create suction to draw fluid into pump without manual priming.

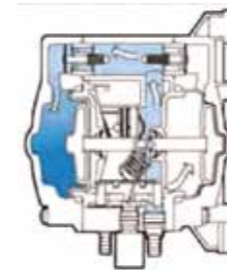


Fluid enters inlet port and is drawn through inlet check valve when piston moves away from the check valve.

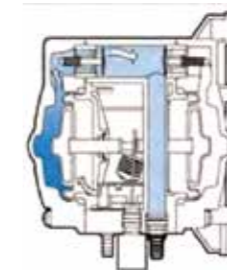


As piston moves toward the check valve assembly, the fluid is forced through the outlet check valve and out of the pump.

Air Driven



Air pressure directed by the stall-proof shuttle valve pulls the left diaphragm to create suction for the fluid being pumped.



Pressurized air is redirected behind the left diaphragm, causing a discharge stroke and forcing the fluid out. At the same time, the right diaphragm draws in more fluid.



Air is redirected to the right side by the shuttle valve as it repeats the above cycle, forcing fluid out at the right diaphragm and drawing fluid in at the left.

## Iconography

See page 27 for detailed descriptions of icons.



# LF Plus Series

## Motor Driven



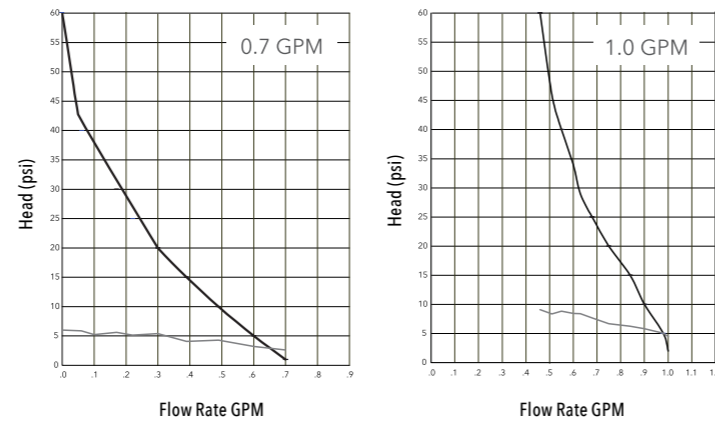
### FOR INTERNATIONAL & US MARKETS

These pumps are the ideal solution for many applications including spraying, fluid transfer, filtration, cooling, dispensing and pressure boosting.

### FEATURES

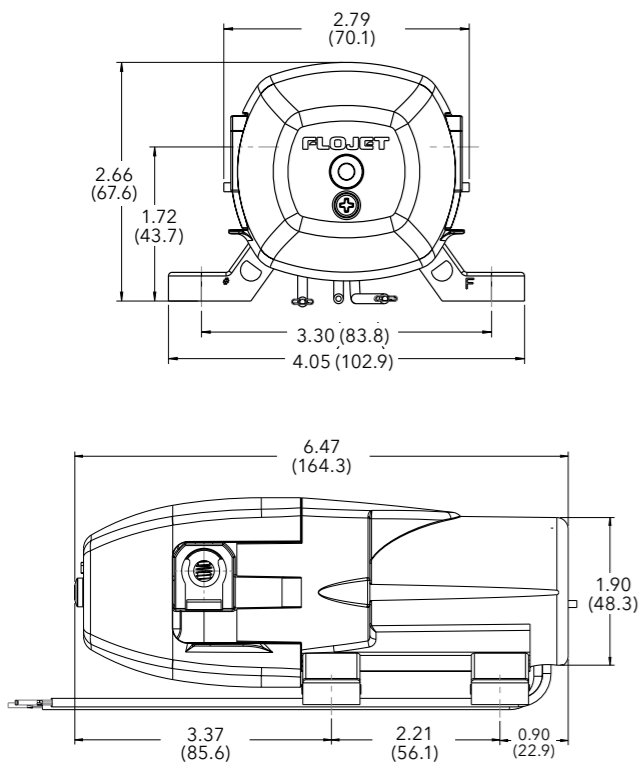
- Sealed pressure switch automatically starts and stops pump when discharge valve opens and closes
- Self-priming so pump can be located above supply tank
- Can run dry for extended periods of time without damage
- Built-in thermal protector
- Low amp draw for battery-powered applications

### PERFORMANCE



### DIMENSIONAL DRAWINGS

Unless otherwise stated, dimensions are in inches and (mm).



### SPECIFICATIONS

<b>PUMP DESIGN</b>	Reciprocating diaphragm
<b>VOLTAGE**</b>	12V DC, 24V DC, 115V AC
<b>MAX FLOW RATE</b>	0.7 GPM (2.6 LPM)-1 GPM (3.8 LPM)
<b>DUTY CYCLE</b>	Intermittent
<b>MAX PRESSURE</b>	40 psi (2.8 bar) when no pressure switch is present
<b>SELF-PRIMING</b>	Up to 6' (1.8m)
<b>PORTS*</b>	Quick connect barb 1/4" (6mm) and 3/8" (10mm); John Guest/quick fit 1/4" (6mm) and 3/8" (10mm) straight and elbow available
<b>HOUSING</b>	Polypropylene
<b>CHECK VALVE SPRING</b>	Stainless steel
<b>LIQUID TEMPERATURE RANGE</b>	36°F (2°C) to 110°F (43°C)

IOM #81000-230

\* See accessories section

\*\* See table

# LF Plus Series

## MODELS

MODEL #	CE	VOLTAGE	OPEN FLOW	SWITCH	BYPASS	MAX AMP DRAW	DIAPHRAGM	CHECK VALVE	PORTS
LFP521002	No	115V AC	0.7 GPM (2.6 LPM)	No	No	0.3A	EP/PP blend	EPDM	Quick disconnect 3/8" (10mm) HB straight
LFP521402	No	115V AC	0.7 GPM (2.6 LPM)	40 psi (2.8 bar)	No	0.3A	EP/PP blend	EPDM	Quick disconnect 3/8" (10mm) HB straight
LFP521401	No	115V AC	0.7 GPM (2.6 LPM)	40 psi (2.8 bar)	No	0.3A	EP/PP blend	FKM	Quick disconnect 3/8" (10mm) HB straight
LFP521401	No	12V DC	0.7 GPM (2.6 LPM)	40 psi (2.8 bar)	55 psi (3.8 bar)	2A	EP/PP blend	FKM	Quick disconnect 3/8" (10mm) HB straight
LFP122201	RLFP122201	12V DC	1 GPM (3.8 LPM)	35 psi (2.4 bar)	No	3.5A	EP/PP blend	FKM	Quick disconnect 3/8" (10mm) HB straight
LFP122005	No	12V DC	1 GPM (3.8 LPM)	No	No	3.5A	Buna/PP blend	FKM	Quick disconnect 3/8" (10mm) HB straight
LFP122201	RLFP122201	12V DC	1 GPM (3.8 LPM)	35 psi (2.4 bar)	No	3.5A	EP/PP blend	FKM	Quick disconnect 3/8" (10mm) HB straight
LFP121421	RLFP121421	12V DC	0.7 GPM (2.6 LPM)	40 psi (2.8 bar)	55 psi (3.8 bar)	2A	EP/PP blend	FKM	Quick disconnect 3/8" (10mm) HB straight
LFP222002	RLFP222002	24V DC	1 GPM (3.8 LPM)	No	No	2A	EP/PP blend	EPDM	Quick disconnect 3/8" (10mm) HB straight
N/A	RLFP222202	24V DC	1 GPM (3.8 LPM)	35 psi (2.4 bar)	No	2A	EP/PP blend	EPDM	Quick disconnect 3/8" (10mm) HB straight
N/A	RLFP222201	24V DC	1 GPM (3.8 LPM)	35 psi (2.4 bar)	No	2A	EP/PP blend	FKM	Quick disconnect 3/8" (10mm) HB straight
N/A	RLFP221422	24V DC	0.7 GPM (2.6 LPM)	40 psi (2.8 bar)	55 psi (3.8 bar)	2A	EP/PP blend	EPDM	Quick disconnect 3/8" (10mm) HB straight

Additional pump models are available. Alternate barb sizes and tubing connection configurations are available. Please contact us if you do not see what you are looking for.

# Duplex II Series

## Motor Driven



The Duplex II series of pumps incorporates the best technology and features developed by Flojet. Everything from the back-flow preventer, check valves, bearings and diaphragm assembly to the motor, has been designed to make this the most reliable diaphragm pump available. Higher efficiency of the pump is evident in the longer life of the motor pump unit. The diaphragm design combined with the new valves makes the pump capable of pulling higher dry vacuum. Duplex II is available in various performance ranges and voltages, and with a choice of elastomers, making it easily adaptable to a diverse range of applications.

### FEATURES

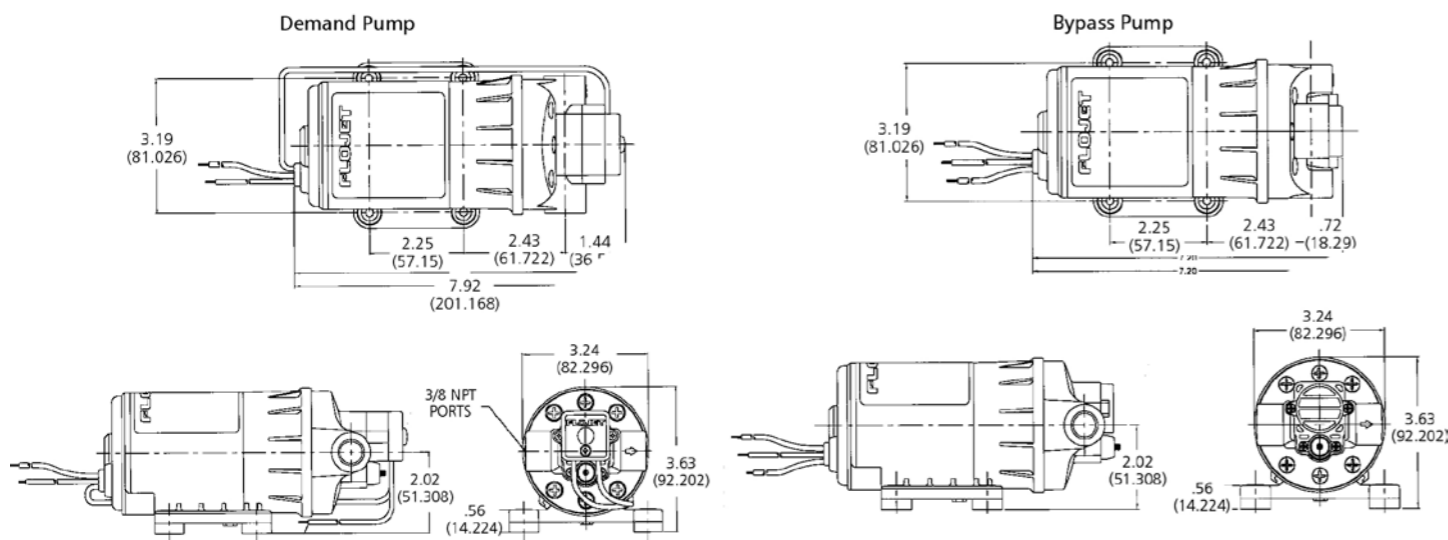
- Self-priming up to 8' (2.4m)
- Can run dry without damage
- Chemically resistant materials
- Internal bypass standard
- Built-in back-flow preventer
- Heavy duty ball bearing drive system
- UL, CSA and CE models available

### SPECIFICATIONS

<b>PUMP DESIGN</b>	Positive displacement two-piston design
<b>VOLTAGE</b>	12V DC, 24V DC, 115V AC, 230V AC
<b>MAX FLOW RATE</b>	High Pressure – 2.2 GPM (8.3 LPM) Medium and Low Pressure – 1.6 GPM (6.1 LPM)
<b>CYCLE</b>	50/60Hz for AC models
<b>MAX PRESURE</b>	100 psi (6.9 bar)
<b>PRESSURE SWITCH SETTING</b>	15 psi (1.3 bar), 30 psi (2.1 bar), 45 psi (3.1 bar), 60 psi (4.1 bar), 80 psi (5.5 bar) and 100 psi (6.8 bar)
<b>SELF-PRIMING</b>	Up to 8' (2.4m)
<b>PORTS</b>	3/8" (10mm) NPT female
<b>MOTOR</b>	Permanent magnet with solid state rectifier
<b>WETTED PARTS</b>	Polypropylene, FKM, buna or EPDM
<b>WEIGHT</b>	4-5lb (1.8-2.3kg)

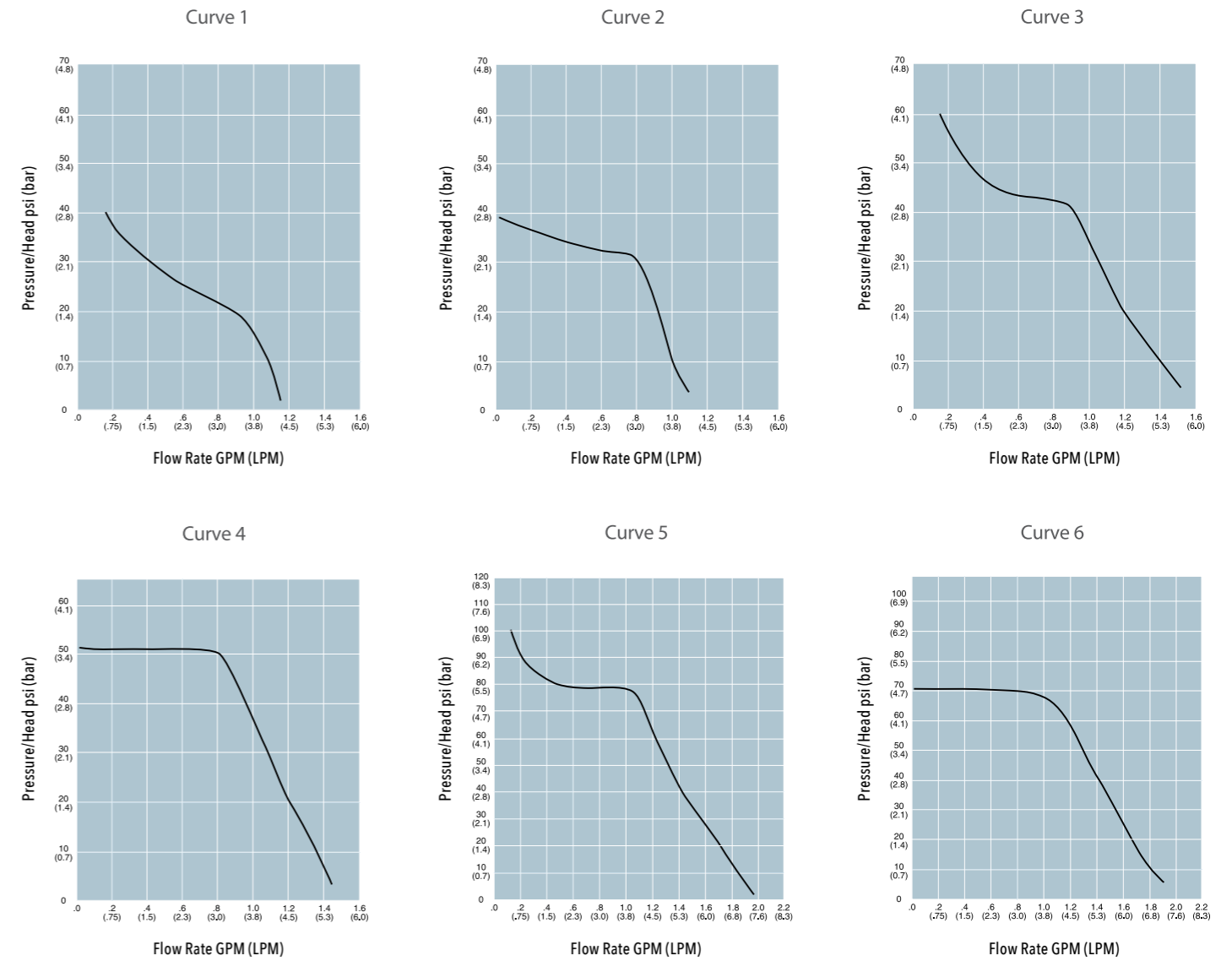
### DIMENSIONAL DRAWINGS

Unless otherwise stated, dimensions are in inches and (mm).



# Duplex II Series

## PERFORMANCE



See following pages for model specification charts.

# Duplex II Series

## Motor Driven

MODEL #	CE	VOLTAGE	OPEN FLOW	SWITCH	BYPASS	MAX AMP DRAW	DIAPHRAGM	CHECK VALVE	CURVE #	NOTES
D3631B1311	N/A	115V AC	1.6 GPM (6.1 LPM)	No	50 psi (3.4 bar)	0.6A	Buna	Buna	4	
D3631B5011	N/A	115V AC	1.6 GPM (6.1 LPM)	60 psi (4.1 bar)	40 psi (2.8 bar)	0.6A	Buna	Buna	3	
D3631V1311	N/A	115V AC	1.6 GPM (6.1 LPM)	No	50 psi (3.4 bar)	0.6A	FKM	FKM	4	
D3631V5011	N/A	115V AC	1.6 GPM (6.1 LPM)	60 psi (4.1 bar)	40 psi (2.8 bar)	0.6A	FKM	FKM	3	
D3635B7011	N/A	115V AC	2 GPM (7.6 LPM)	100 psi (6.9 bar)	80 psi (5.5 bar)	0.8A	Buna	Buna	5	
D3835B5011	N/A	115V AC	2 GPM (7.6 LPM)	60 psi (4.1 bar)	40 psi (2.8 bar)	0.6A	Buna	Buna	3	6' cord
D3835H5011	N/A	115V AC	2 GPM (7.6 LPM)	60 psi (4.1 bar)	40 psi (2.8 bar)	0.6A	EP/PP blend	EPDM	3	6' cord
D3835V5011	N/A	115V AC	2 GPM (7.6 LPM)	60 psi (4.1 bar)	40 psi (2.8 bar)	0.6A	FKM	FKM	3	6' cord
D21X003	N/A	12V DC	1.6 GPM (6.1 LPM)	No	No	9A	EP/PP blend	FKM	6	Inline fuse and rocker switch
D21X005	N/A	12V DC	2 GPM (7.6 LPM)	60 psi (4.1 bar)	40 psi (2.8 bar)	7A	EP/PP blend	FKM	3	Inline fuse and rocker switch
D3131B1311	D3131B1311R	12V DC	1.6 GPM (6.1 LPM)	No	50 psi (3.4 bar)	7A	Buna	Buna	4	
D3131B5011	D3131B5011R	12V DC	1.6 GPM (6.1 LPM)	60 psi (4.1 bar)	40 psi (2.8 bar)	7A	Buna	Buna	3	
D3131H1311	D3131H1311R	12V DC	1.6 GPM (6.1 LPM)	No	50 psi (3.4 bar)	7A	EP/PP blend	EPDM	4	
D3131H5011	D3131H5011R	12V DC	1.6 GPM (6.1 LPM)	60 psi (4.1 bar)	40 psi (2.8 bar)	7A	EP/PP blend	EPDM	3	
D3131V1311	D3131V1311R	12V DC	1.6 GPM (6.1 LPM)	No	50 psi (3.4 bar)	7A	FKM	FKM	4	
D3131V5011	D3131V5011R	12V DC	1.6 GPM (6.1 LPM)	60 psi (4.1 bar)	40 psi (2.8 bar)	7A	FKM	FKM	3	
D3135B7011	D3135B7011R	12V DC	2 GPM (7.6 LPM)	100 psi (6.9 bar)	80 psi (5.5 bar)	9A	Buna	Buna	5	
D3135H7011	D3135H7011R	12V DC	2 GPM (7.6 LPM)	100 psi (6.9 bar)	80 psi (5.5 bar)	9A	EP/PP blend	EPDM	5	
D3121V1211	D3121V1211R	12V DC	1.1 GPM (4.3 LPM)	No	30 psi (2.1 bar)	3A	FKM	FKM	1	
D3121V3011	D3121V3011R	12V DC	1.1 GPM (4.3 LPM)	30 psi (2.1 bar)	No	3A	FKM	FKM	2	
D3135B1411	D3135B1411R	12V DC	2 GPM (7.6 LPM)	No	70 psi (4.8 bar)	7A	Buna	Buna	6	
D71X000	N/A	12V DC	2 GPM (7.6 LPM)	No	50 psi (3.4 bar)	8A	Buna	Buna	6	Heavy duty motor
D71X001	N/A	12V DC	2 GPM (7.6 LPM)	No	50 psi (3.4 bar)	8A	Buna	Buna	6	Heavy duty motor and discharge left
D2131F5011	N/A	12V DC	1.6 GPM (6.1 LPM)	60 psi (4.1 bar)	40 psi (2.8 bar)	0.6A	EP/PP blend	FKM	3	
D2131F5011	N/A	12V DC	1.6 GPM (6.1 LPM)	60 psi (4.1 bar)	40 psi (2.8 bar)	0.6A	EP/PP blend	FKM	3	Heavy duty motor
D27X007	N/A	12V DC	1.6 GPM (6.1 LPM)	No	50 psi (3.4 bar)	10A	Buna	FKM	4	Inline fuse and rocker switch
D3732B1311	D3732B1311RL	230V AC	1.6 GPM (6.1 LPM)	No	50 psi (3.4 bar)	0.4A	Buna	Buna	4	
D3732B5011	D3732B5011RL	230V AC	1.6 GPM (6.1 LPM)	60 psi (4.1 bar)	40 psi (2.8 bar)	0.6A	Buna	Buna	3	
D3732H1311	D3732H1311RL	230V AC	1.6 GPM (6.1 LPM)	No	50 psi (3.4 bar)	0.4A	EP/PP blend	EPDM	4	

# Duplex II Series

## MODELS

MODEL #	CE	VOLTAGE	OPEN FLOW	SWITCH	BYPASS	MAX AMP DRAW	DIAPHRAGM	CHECK VALVE	CURVE #	NOTES
D3732H5011	D3732H5011RL	230V AC	1.6 GPM (6.1 LPM)	60 psi (4.1 bar)	40 psi (2.8 bar)	0.6A	EP/PP blend	EPDM	3	
D3732V1311	D3732V1311RL	230V AC	1.6 GPM (6.1 LPM)	No	50 psi (3.4 bar)	0.4A	FKM	FKM	4	
D3732V5011	D3732V5011RL	230V AC	1.6 GPM (6.1 LPM)	60 psi (4.1 bar)	40 psi (2.8 bar)	0.6A	FKM	FKM	3	
D3735B7011	D3735B7011RL	230V AC	2 GPM (7.6 LPM)	100 psi (6.9 bar)	80 psi (5.5 bar)	0.5A	Buna	Buna	5	
D3735H7011	D3735H7011RL	230V AC	2 GPM (7.6 LPM)	100 psi (6.9 bar)	80 psi (5.5 bar)	0.5A	EP/PP blend	EPDM	5	
D3231B1311	D3231B1311R	24V DC	1.6 GPM (6.1 LPM)	No	50 psi (3.4 bar)	3.5A	Buna	Buna	4	
D3231B5011	D3231B5011R	24V DC	1.6 GPM (6.1 LPM)	60 psi (4.1 bar)	40 psi (2.8 bar)	3.5A	Buna	Buna	3	
D3231H1311	D3231H1311R	24V DC	1.6 GPM (6.1 LPM)	No	50 psi (3.4 bar)	3.5A	EP/PP blend	EPDM	4	
D3231H5011	D3231H5011R	24V DC	1.6 GPM (6.1 LPM)	60 psi (4.1 bar)	40 psi (2.8 bar)	3.5A	EP/PP blend	EPDM	3	
D3231V1311	D3231V1311R	24V DC	1.6 GPM (6.1 LPM)	No	50 psi (3.4 bar)	3.5A	FKM	FKM	4	
D3231V5011	D3231V5011R	24V DC	1.6 GPM (6.1 LPM)	60 psi (4.1 bar)	40 psi (2.8 bar)	3.5A	FKM	FKM	3	
D3235B7011	D3235B7011R	24V DC	2 GPM (7.6 LPM)	100 psi (6.9 bar)	80 psi (5.5 bar)	4.5A	Buna	Buna	5	
D3235H7011	D3235H7011R	24V DC	2 GPM (7.6 LPM)	100 psi (6.9 bar)	80 psi (5.5 bar)	4.5A	EP/PP blend	EPDM	5	
D3221V1211	D3221V1211R	24V DC	1.1 GPM (4.3 LPM)	No	30 psi (2.1 bar)	1.5A	FKM	FKM	1	
D3221V3011	D3221V3011R	24V DC	1.1 GPM (4.3 LPM)	30 psi (2.1 bar)	No	1.5A	FKM	FKM	2	
D1335E7011	N/A	36V DC	2 GPM (7.6 LPM)	100 psi (6.9 bar)	80 psi (5.5 bar)	0.5A	EPDM	EPDM	5	

# Triplex Compact Series

## Motor Driven



The Triplex Compact range pump was designed specifically for the agricultural market. Flojet's three chamber design, including versatile features, makes it ideal for sprayers, transfer and dispensing applications. This automatic demand pump is fitted with a sealed pressure switch and motor. It has the ideal footprint for installation in areas with space restrictions.

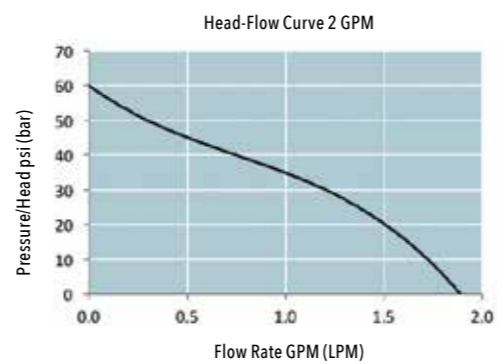
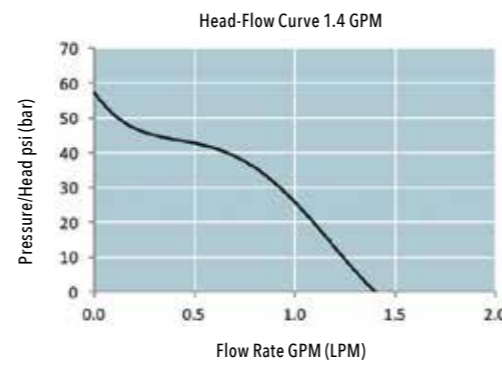
### FEATURES

- Compact automatic demand pump
- Sealed pressure switch and motor
- Self-priming; pump can be located above supply tank
- Can run dry for extended periods of time without damage
- Flow rates to 2 GPM (7.6 LPM) and operating pressure to 60 psi (4.1 bar)

### APPLICATIONS

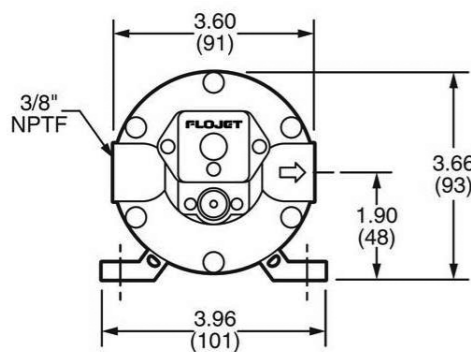
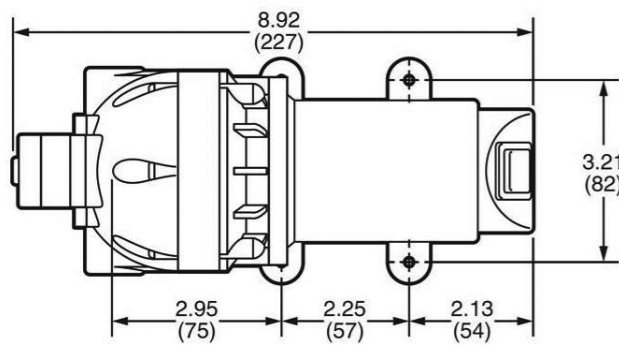
- Small boom and spot spraying
- Foam marking
- Silage treatment
- Estate spraying
- Livestock and poultry cooling
- Dispensing
- Transfer of liquids

### PERFORMANCE



### DIMENSIONAL DRAWINGS

Unless otherwise stated, dimensions are in inches and (mm).



### SPECIFICATIONS

<b>PUMP DESIGN</b>	Motor-operated, 3-chamber diaphragm
<b>VOLTAGE</b>	12V DC, 24V DC
<b>MAX FLOW RATE</b>	2 GPM (7.6 LPM)
<b>DUTY CYCLE</b>	Intermittent
<b>MAX PRESSURE</b>	60 psi (4.1 bar)
<b>PORTS</b>	3/8" (10mm) NPTF
<b>LIQUID TEMPERATURE RANGE</b>	40°F (4°C) to 140°F (60°C)
<b>CERTIFICATIONS</b>	CE, NSF components
<b>WEIGHT</b>	3.4lb (1.5kg)

# Triplex Compact Series

## MODELS

MODEL #	CE	VOLTAGE	OPEN FLOW	SWITCH	BYPASS	MAX AMP DRAW	DIAPHRAGM	CHECK VALVE	CURVE #
03501132	R3501132	12V	1.4 GPM (5.3 LPM)	60 psi (4.1 bar)	40 psi (2.8 bar)	6A	EP/PP blend	FKM	1
03501136	R3501136	12V	2 GPM (7.6 LPM)	60 psi (4.1 bar)	40 psi (2.8 bar)	8A	EP/PP blend	FKM	2
03501142	R3501142	12V	1.4 GPM (5.3 LPM)	60 psi (4.1 bar)	40 psi (2.8 bar)	6A	EP/PP blend	EPDM	1
03501146	R3501146	12V	2 GPM (7.6 LPM)	60 psi (4.1 bar)	40 psi (2.8 bar)	8A	EP/PP blend	EPDM	2
03B01132	R3B01132	12V	1.4 GPM (5.3 LPM)	No	50 psi (3.4 bar)	6A	EP/PP blend	FKM	1
03B01136	R3B01136	12V	2 GPM (7.6 LPM)	No	50 psi (3.4 bar)	8A	EP/PP blend	FKM	2
03B01142	R3B01142	12V	1.4 GPM (5.3 LPM)	No	50 psi (3.4 bar)	6A	EP/PP blend	EPDM	1
03B01146	R3B01146	12V	2 GPM (7.6 LPM)	No	50 psi (3.4 bar)	8A	EP/PP blend	EPDM	2
03501332	R3501332	24V	1.4 GPM (5.3 LPM)	60 psi (4.1 bar)	40 psi (2.8 bar)	3A	EP/PP blend	FKM	1
03501336	R3501336	24V	2 GPM (7.6 LPM)	60 psi (4.1 bar)	40 psi (2.8 bar)	4A	EP/PP blend	FKM	2
03501342	R3501342	24V	1.4 GPM (5.3 LPM)	60 psi (4.1 bar)	40 psi (2.8 bar)	3A	EP/PP blend	EPDM	1
03501346	R3501346	24V	2 GPM (7.6 LPM)	60 psi (4.1 bar)	40 psi (2.8 bar)	4A	EP/PP blend	EPDM	2
03B01332	R3B01332	24V	1.4 GPM (5.3 LPM)	No	50 psi (3.4 bar)	3A	EP/PP blend	FKM	1
03B01336	R3B01336	24V	2 GPM (7.6 LPM)	No	50 psi (3.4 bar)	4A	EP/PP blend	FKM	2
03B01342	R3B01342	24V	1.4 GPM (5.3 LPM)	No	50 psi (3.4 bar)	3A	EP/PP blend	EPDM	1
03B01346	R3B01346	24V	2 GPM (7.6 LPM)	No	50 psi (3.4 bar)	4A	EP/PP blend	EPDM	2

# Triplex Hi-Pressure Series

## Motor Driven



Flojet Triplex Hi-Pressure diaphragm pumps are capable of pressures up to 150 psi (10.3 bar), some of the highest pressures available in the diaphragm pump industry. This is ideal for applications such as spraying, misting, filtration, cooling, dispensing and pressure boosting.

### FEATURES

- Constructed from a selection of materials suitable for handling a broad range of chemicals
- Sealed pressure switch and motor
- Self-priming up to 8' (2.4m); pump can be located above supply tank
- Can run dry for extended periods of time without damage
- Flow rates to 1.4 GPM (5.5 LPM) and operating pressure to 150 psi (11 bar)

### APPLICATIONS

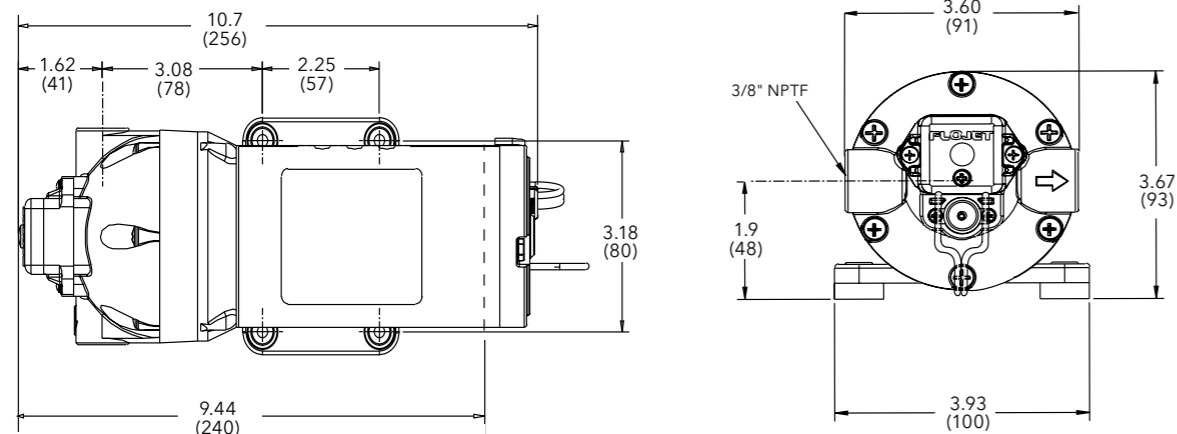
- Designed for wide range of applications
- Small boom and spot spraying
- Silage treatment
- Estate spraying
- Livestock and poultry cooling
- Dispensing
- Transfer of liquids

### SPECIFICATIONS

<b>PUMP DESIGN</b>	Motor-operated, 3-chamber diaphragm
<b>VOLTAGE</b>	12V DC, 24V DC, 115V AC, 230V AC
<b>MAX FLOW RATE</b>	1.4 GPM (5.5 LPM)
<b>DUTY CYCLE</b>	Intermittent
<b>CYCLES</b>	50/60Hz
<b>MAX PRESSURE</b>	Switch cutoff - 150 psi (10.3 bar) Max running pressure - 140 psi (9.7 bar)
<b>PORTS</b>	3/8" (10mm) NPTF
<b>MOTOR</b>	Permanent magnet DC and rectified (PMDC) AC
<b>PUMP HEAD</b>	Glass-filled nylon
<b>ELASTOMERS DIAPHRAGM</b>	EP/PP blend
<b>CHECK VALVE*</b>	EPDM or FKM
<b>LIQUID TEMPERATURE RANGE</b>	40°F (4°C) to 140°F (60°C)
<b>CERTIFICATIONS</b>	CE, NSF components
<b>WEIGHT</b>	7.6lb (3.5kg)

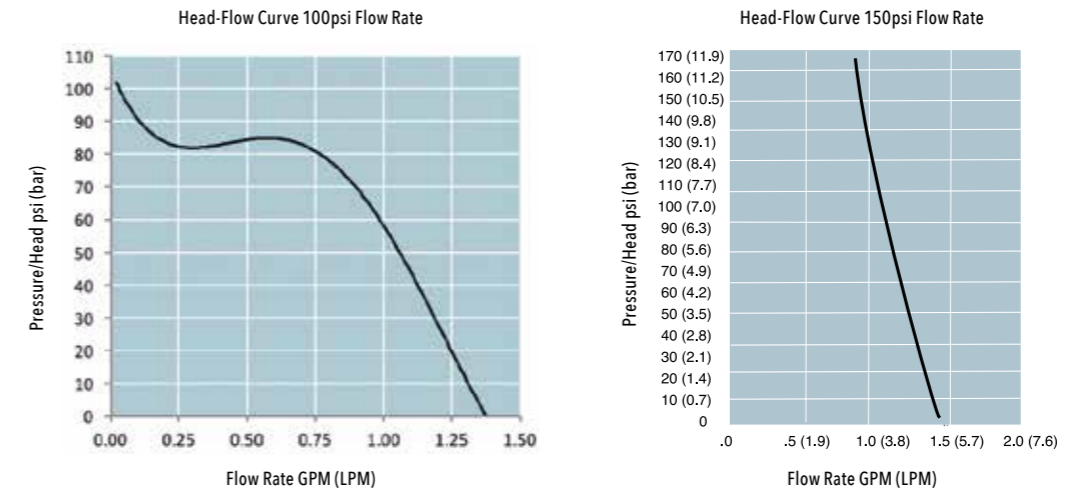
### DIMENSIONAL DRAWINGS

Unless otherwise stated, dimensions are in inches and (mm).



# Triplex Hi-Pressure Series

## PERFORMANCE



## MODELS

MODEL #	CE	VOLTAGE	OPEN FLOW	SWITCH	BYPASS	MAX AMP DRAW	DIAPHRAGM	CHECK VALVE
03711133	R3711133	12V	1.4 GPM (5.3 LPM)	100 psi (6.9 bar)	80 psi (5.5)	9A	EP/PP blend	FKM
03711143	R3711143	12V	1.4 GPM (5.3 LPM)	100 psi (6.9 bar)	80 psi (5.5)	9A	EP/PP blend	EPDM
03811133	R3811133	12V	1.4 GPM (5.3 LPM)	150 psi (10.3 bar)	No	10A	EP/PP blend	FKM
03811143	R3811143	12V	1.4 GPM (5.3 LPM)	150 psi (10.3 bar)	No	10A	EP/PP blend	EPDM
03711333	R3711333	24V	1.4 GPM (5.3 LPM)	100 psi (6.9 bar)	80 psi (5.5)	4A	EP/PP blend	FKM
03711343	R3711343	24V	1.4 GPM (5.3 LPM)	100 psi (6.9 bar)	80 psi (5.5)	4A	EP/PP blend	EPDM
03811333	R3811333	24V	1.4 GPM (5.3 LPM)	150 psi (10.3 bar)	No	5A	EP/PP blend	FKM
03811343	R3811343	24V	1.4 GPM (5.3 LPM)	150 psi (10.3 bar)	No	5A	EP/PP blend	EPDM
03711033	N/A	115V	1.4 GPM (5.3 LPM)	100 psi (6.9 bar)	80 psi (5.5)	1A	EP/PP blend	FKM
03711043	N/A	115V	1.4 GPM (5.3 LPM)	100 psi (6.9 bar)	80 psi (5.5)	1A	EP/PP blend	EPDM
03811033	N/A	115V	1.4 GPM (5.3 LPM)	150 psi (10.3 bar)	No	1A	EP/PP blend	FKM
03811043	N/A	115V	1.4 GPM (5.3 LPM)	150 psi (10.3 bar)	No	1A	EP/PP blend	EPDM
03711233	R3711233	230V	1.4 GPM (5.3 LPM)	100 psi (6.9 bar)	80 psi (5.5)	0.6A	EP/PP blend	FKM
03711243	R3711243	230V	1.4 GPM (5.3 LPM)	100 psi (6.9 bar)	80 psi (5.5)	0.6A	EP/PP blend	EPDM
03811233	R3811233	230V	1.4 GPM (5.3 LPM)	150 psi (10.3 bar)	No	0.6A	EP/PP blend	FKM
03811243	R3811243	230V	1.4 GPM (5.3 LPM)	150 psi (10.3 bar)	No	0.6A	EP/PP blend	EPDM

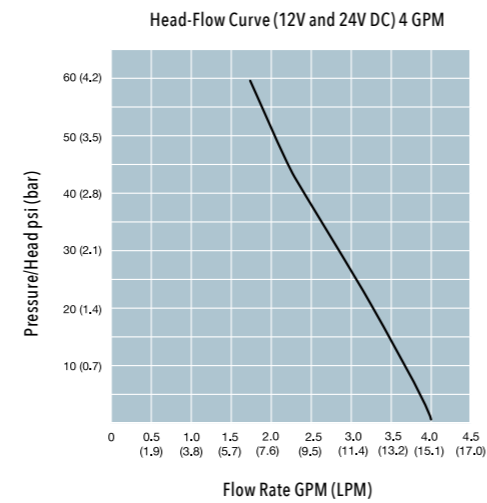
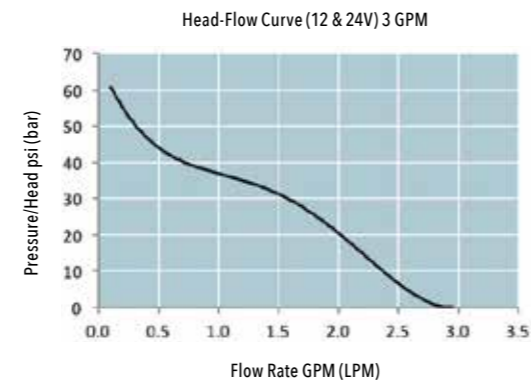
# Triplex Hi-Flow Series

## Motor Driven



Flojet Triplex Hi-Flow series pumps are designed for a wide range of applications and are constructed from a selection of materials suitable for handling a broad range of chemicals. The Triplex Hi-Flow pumps are self-priming and can run dry without harm.

### PERFORMANCE



### SPECIFICATIONS

<b>PUMP DESIGN</b>	3-chamber diaphragm
<b>VOLTAGE</b>	12V DC, 24V DC
<b>MAX FLOW RATE</b>	4 GPM (15.1 LPM)
<b>MAX PRESSURE</b>	Switch cutoff - 60 psi (4.1 bar) Max running pressure - 50 psi (3.4 bar)
<b>PUMP HEAD</b>	Polypropylene
<b>DIAPHRAGM</b>	EP/PP blend
<b>IP RATING</b>	IP54
<b>WEIGHT</b>	5.1lb (2.3kg)

# Triplex Hi-Flow Series

### MODELS

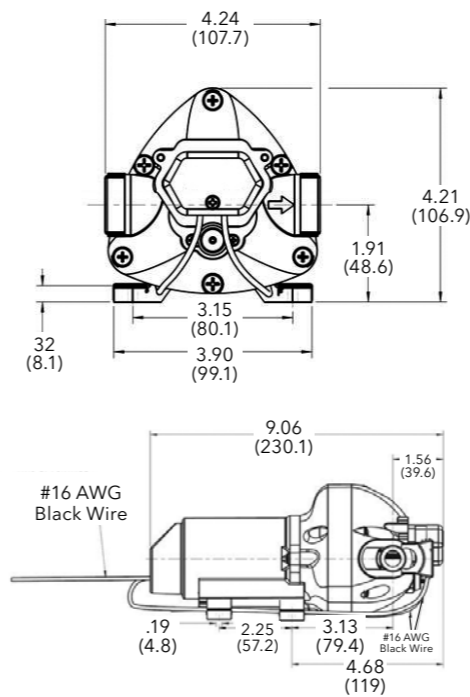
MODEL #	CE	VOLTAGE	OPEN FLOW	MAX AMP DRAW	SWITCH	BYPASS	CHECK VALVE
03521134	R3521134	12V	3 GPM (11.4 LPM)	5.2A	50 psi (3.4 bar)	30 psi (2.0)	FKM
03521139	R3521139	12V	4 GPM (15.1 LPM)	12A	60 psi (4.1 bar)	30 psi (2.0)	FKM
03521144	R3521144	12V	3 GPM (11.4 LPM)	5.2A	50 psi (3.4 bar)	30 psi (2.0)	EPDM
03521149	R3521149	12V	4 GPM (15.1 LPM)	12A	60 psi (4.1 bar)	30 psi (2.0)	EPDM
03521334	R3521334	24V	3 GPM (11.4 LPM)	2.5A	50 psi (3.4 bar)	30 psi (2.0)	FKM
03521339	R3521339	24V	4 GPM (15.1 LPM)	7A	60 psi (4.1 bar)	30 psi (2.0)	FKM
03521344	R3521344	24V	3 GPM (11.4 LPM)	2.5A	50 psi (3.4 bar)	30 psi (2.0)	EPDM
03521349	R3521349	24V	4 GPM (15.1 LPM)	7A	60 psi (4.1 bar)	30 psi (2.0)	EPDM

### HEAVY DUTY MODELS

MODEL #	CE	VOLTAGE	OPEN FLOW	MAX AMP DRAW	SWITCH	BYPASS	CHECK VALVE
N/A	R3B21500	12V	3.5 GPM (13.2 LPM)	8.5A	No	50 psi (3.4 bar)	FKM
N/A	R3B21501	24V	3.5 GPM (13.2 LPM)	5A	No	50 psi (3.4 bar)	FKM
N/A	R3B21502	12V	2.1 GPM (7.9 LPM)	4A	No	50 psi (3.4 bar)	FKM
N/A	R3B21503	24V	2.1 GPM (7.9 LPM)	4A	No	50 psi (3.4 bar)	FKM

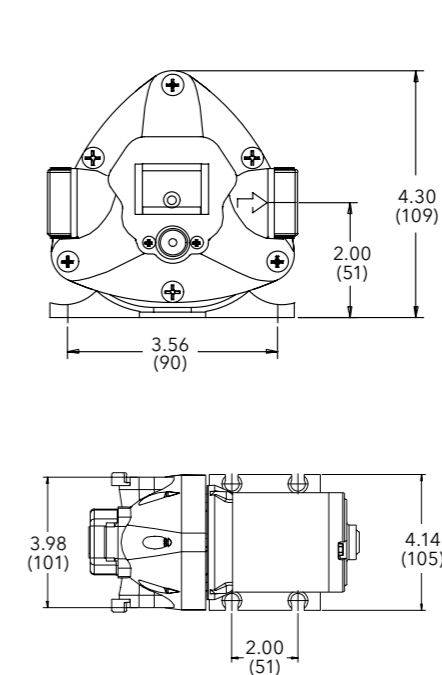
### 3 GPM DIMENSIONAL DRAWINGS

Unless otherwise stated, dimensions are in inches and (mm).



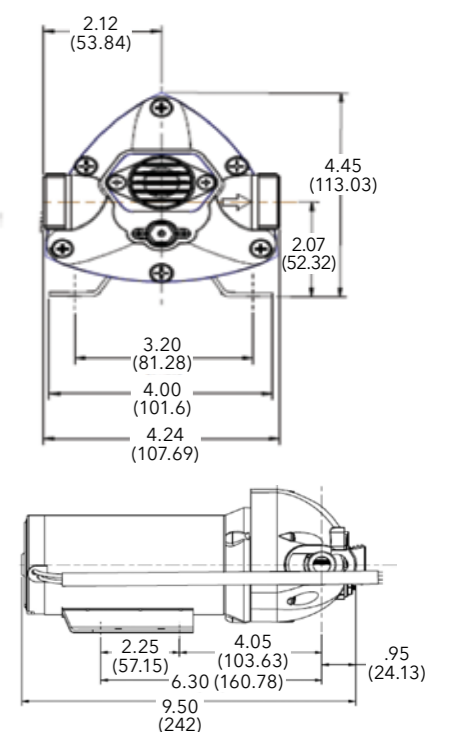
### 4 GPM DIMENSIONAL DRAWINGS

Unless otherwise stated, dimensions are in inches and (mm).



### R3B21 (HEAVY DUTY) ROAD ROLLER PUMP DIMENSIONAL DRAWINGS

Unless otherwise stated, dimensions are in inches and (mm).





# Quad Series

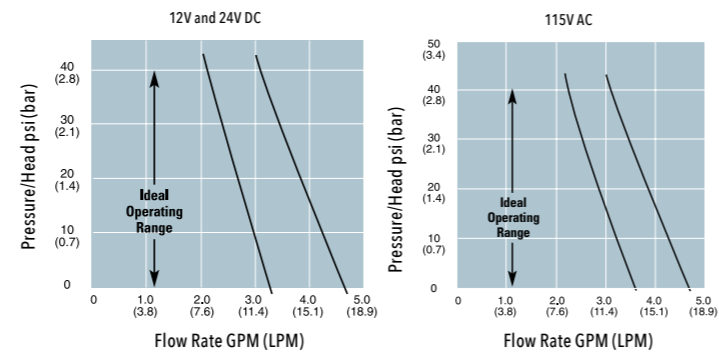
## Motor Driven



### FEATURES

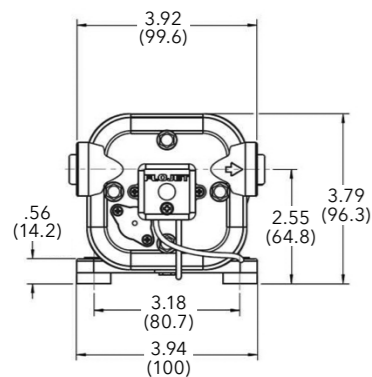
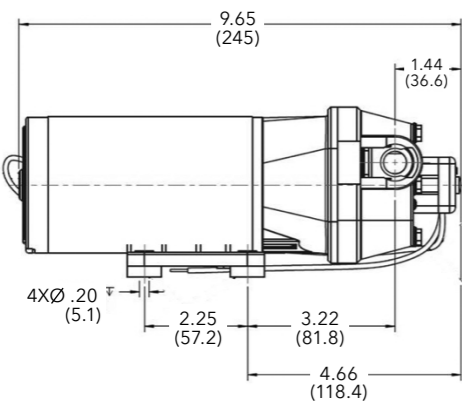
- Built-in pressure switch automatically starts and stops pump when discharge valve opens and closes
- Compact design and plug-in port fittings make installation easy
- Can run dry without damage and handle liquids up to 130°F (54°C)
- Excellent self-priming capability; pump may be located above the liquid level

### PERFORMANCE



### DIMENSIONAL DRAWINGS

Unless otherwise stated, dimensions are in inches and (mm).



### SPECIFICATIONS

<b>VOLTAGE</b>	12V and 24V DC, 115V and 230V AC
<b>FLOW RATE</b>	3.5-5 GPM (13.2-18.9 LPM) nominal
<b>MAX PRESSURE</b>	40 psi (2.8 bar)
<b>PRESSURE SWITCH SETTING</b>	45 psi (3.2 bar) cut-out
<b>SELF-PRIMING</b>	Up to 8' (2.4m) vertical height
<b>PORTS*</b>	Plug-in ports 1/2" (13mm) or 3/4" (19mm) hose barb standard
<b>WEIGHT</b>	4lb (2kg)

\*Consult your local Flojet representative for other types of port fittings.

# Quad Series

## MODELS

MODEL #	CE	VOLTAGE	OPEN FLOW	SWITCH	MAX AMP DRAW	DIAPHRAGM	CHECK VALVE	FITTINGS	COMMENTS
04100113	N/A	12V	5 GPM (19 LPM)	No	10A	Buna/PP blend	Buna	3/4" (19mm) HB ST	
04100143	R4100143	12V	5 GPM (19 LPM)	No	10A	EP/PP blend	EPDM	3/4" (19mm) HB ST	
04100505	N/A	12V	3.7 GPM (14 LPM)	No	10A	EP/PP blend	FKM	1/2" (13mm) HB ST	
04300112	N/A	12V	3.7 GPM (14 LPM)	45 psi (3.1 bar)	10A	Buna/PP blend	Buna	1/2" (13mm) HB ST	
04300142	R4300142	12V	3.7 GPM (14 LPM)	45 psi (3.1 bar)	9A	EP/PP blend	EPDM	1/2" (13mm) HB ST	
04300143	R4300143	12V	5 GPM (19 LPM)	45 psi (3.1 bar)	13A	EP/PP blend	EPDM	3/4" (19mm) HB ST	
04300500	R4300500	12V	3.7 GPM (14 LPM)	45 psi (3.1 bar)	10A	EP/PP blend	FKM	1/2" (13mm) HB ST	
04300504	R4300504	12V	5 GPM (19 LPM)	45 psi (3.1 bar)	13A	EP/PP blend	FKM	3/4" (19mm) HB ST	
04300506	R4300506	12V	5 GPM (19 LPM)	45 psi (3.1 bar)	13A	Buna/PP blend	Buna	3/4" (19mm) HB ST	
04300528	N/A	12V	3.8 GPM (14.5 LPM)	45 psi (3.1 bar)	11A	EP/PP blend	FKM	1/2" (13mm) HB ST and GH x 1/2" (13mm) MNPT	Inline connector, rocker switch
04100343	R4100343	24V	5 GPM (19 LPM)	No	4A	EP/PP blend	EPDM	3/4" (19mm) HB ST	
04300342	R4300342	24V	3.7 GPM (14 LPM)	45 psi (3.1 bar)	5A	EP/PP blend	EPDM	1/2" (13mm) HB ST	
04300343	R4300343	24V	5 GPM (19 LPM)	45 psi (3.1 bar)	5A	EP/PP blend	EPDM	3/4" (19mm) HB ST	
04100511	N/A	36V	5 GPM (19 LPM)	No	2.3A	EP/PP blend	FKM	3/4" (19mm) HB ST	
04100500	R4100500	115V AC	3.7 GPM (14 LPM)	No	1.2A	EP/PP blend	EPDM	1/2" (13mm) HB ST	
04100502	N/A	115V AC	5 GPM (19 LPM)	No	1.2A	EP/PP blend	FKM	3/4" (19mm) HB ST	
04300042	N/A	115V AC	3.7 GPM (14 LPM)	45 psi (3.1 bar)	1A	EP/PP blend	EPDM	1/2" (13mm) HB ST	
04300043	N/A	115V AC	5 GPM (19 LPM)	45 psi (3.1 bar)	1A	EP/PP blend	EPDM	3/4" (19mm) HB ST	
04300501	R4300501	115V AC	3.7 GPM (14 LPM)	45 psi (3.1 bar)	1.5A	EP/PP blend	FKM	1/2" (13mm) HB ST	
04300515	N/A	115V AC	5 GPM (19 LPM)	45 psi (3.1 bar)	1.5A	EP/PP blend	FKM	3/4" (19mm) HB ST	
04300525	N/A	115V AC	5 GPM (19 LPM)	45 psi (3.1 bar)	1.5A	EP/PP blend	FKM	3/4" (19mm) HB ST	6' (1.8m) cord
04300529	N/A	115V AC	3 GPM (11.5 LPM)	40 psi (2.8 bar)	1.8A	EP/PP blend	FKM	1/2" (13mm) HB ST	Cord/continuous duty/induction motor
04300531	N/A	115V AC	3 GPM (11.5 LPM)	40 psi (2.8 bar)	1.8A	EP/PP blend	EPDM	1/2" (13mm) HB ST	Cord/continuous duty/induction motor
I102010211	N/A	115V AC	5 GPM (19 LPM)	No	1.5A	EP/PP blend	FKM	3/4" (19mm) HB ST	6' (1.8m) cord
I103050211	N/A	115V AC	5 GPM (19 LPM)	No	1.5A	EP/PP blend	EPDM	3/4" (19mm) HB ST	6' (1.8m) cord
I304010110	N/A	115V AC	3.7 GPM (14 LPM)	45 psi (3.1 bar)	1.5A	EP/PP blend	FKM	1/2" (13mm) HB ST	6' (1.8m) cord
R4300538	R4300538	230V AC	4.5 GPM (17 LPM)	35 psi (2.4 bar)	2A	EP/PP blend	EPDM	3/4" (19mm) HB ST and 1/2" (13mm) HB ELB	Continuous duty/induction motor/
R4300539	R4300539	230V AC	3.5 GPM (13 LPM)	35 psi (2.4 bar)	2A	EP/PP blend	EPDM	3/4" (19mm) HB ST and 1/2" (13mm) HB ELB	Continuous duty/induction motor/
R4320252	R4320252	230V AC	3.7 GPM (14 LPM)	35 psi (2.4 bar)	0.6A	EP/PP blend	FKM	1/2" (13mm) HB ST	
R4320253	R4320253	230V AC	5 GPM (19 LPM)	35 psi (2.4 bar)	0.7A	EP/PP blend	FKM	3/4" (19mm) HB ST	

# Versijet™ Series

## Motor Driven

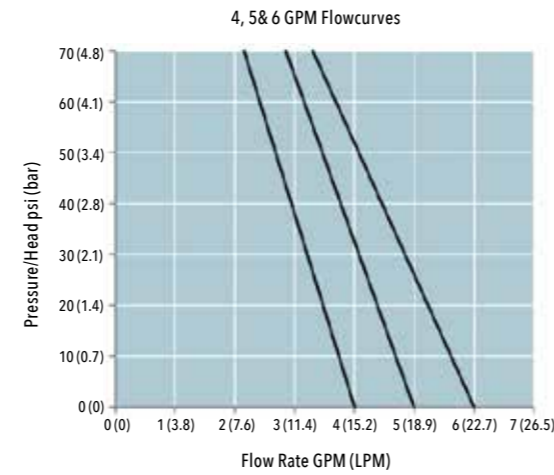


The Flojet Versijet series' robust five chamber design, large robust motor, and choice of elastomers make this the ideal pump for higher flow, heavy duty applications.

### FEATURES

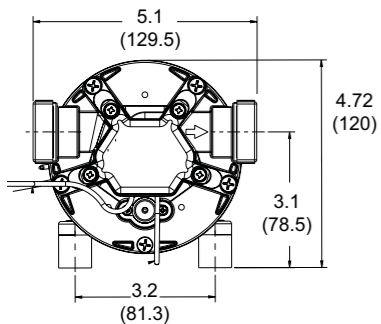
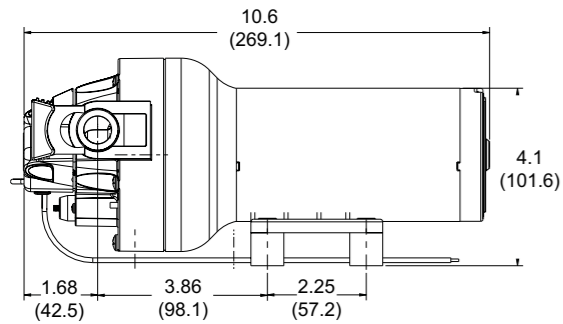
- Flow rates up to 6 GPM (22.7 LPM) and pressure of up to 70 psi (4.8 bar)
- Designed to handle a broad range of fluids
- Flojet's patented co-injected molded diaphragm and larger motor brushes significantly extend pump life up to 50% longer than existing Flojet Quad series diaphragm pumps
- Sealed motor and pressure switch provide years of dependable reliability
- Self-priming up to 10' (3m) (wetted)
- IPX6 rated

### PERFORMANCE



### DIMENSIONAL DRAWINGS

Unless otherwise stated, dimensions are in inches and (mm).



### SPECIFICATIONS

<b>PUMP DESIGN</b>	Permanent Magnet TENV (non-ventilated)
<b>VOLTAGE</b>	12V DC, 24V DC, 115V AC
<b>MAX FLOW RATE</b>	6 GPM (22.7 LPM)
<b>DUTY CYCLE</b>	Intermittent
<b>MAX PRESSURE</b>	70 psi (4.8 bar)
<b>PORTS</b>	4 GPM - 1/2" (13mm) HB 5 and 6 GPM - 3/4" (19mm) HB Other options available on request
<b>PUMP HEAD</b>	Glass-filled nylon
<b>DIAPHRAGM</b>	EP/PP blend
<b>CHECK VALVE</b>	Glass-filled nylon, EPDM
<b>LIQUID TEMPERATURE RANGE</b>	40°F (4°C) to 140°F (60°C)
<b>CERTIFICATIONS</b>	CE, RoHs, IPX6
<b>WEIGHT</b>	7.6lb (3.5kg)

Note: 4 GPM model overall length 9.9" (252mm). All other dimensions are the same as the 5 GPM/6 GPM models.

# Versijet™ Series

## MODELS

MODEL #	OPEN FLOW	VOLTAGE	SWITCH	DIAPHRAGM	CHECK VALVE	MAX AMP DRAW
R8400144	4 GPM (15.1 LPM)	12V DC	70 psi (4.8 bar)	EP/PP blend	EPDM	7A
R8400134	4 GPM (15.1 LPM)	12V DC	70 psi (4.8 bar)	EP/PP blend	FKM	8A
R8410144	4 GPM (15.1 LPM)	12V DC	No	EP/PP blend	EPDM	10A
R8410134	4 GPM (15.1 LPM)	12V DC	No	EP/PP blend	FKM	7A
R8400344	4 GPM (15.1 LPM)	24V DC	70 psi (4.8 bar)	EP/PP blend	EPDM	8A
R8400334	4 GPM (15.1 LPM)	24V DC	70 psi (4.8 bar)	EP/PP blend	FKM	10A
R8410344	4 GPM (15.1 LPM)	24V DC	No	EP/PP blend	EPDM	7A
R8410334	4 GPM (15.1 LPM)	24V DC	No	EP/PP blend	FKM	8A
R8500144	5 GPM (18.9 LPM)	12V DC	70 psi (4.8 bar)	EP/PP blend	EPDM	10A
R8500134	5 GPM (18.9 LPM)	12V DC	70 psi (4.8 bar)	EP/PP blend	FKM	7A
R8510144	5 GPM (18.9 LPM)	12V DC	No	EP/PP blend	EPDM	8A
R8510134	5 GPM (18.9 LPM)	12V DC	No	EP/PP blend	FKM	10A
R8500344	5 GPM (18.9 LPM)	24V DC	70 psi (4.8 bar)	EP/PP blend	EPDM	12A
R8500334	5 GPM (18.9 LPM)	24V DC	70 psi (4.8 bar)	EP/PP blend	FKM	16A
R8510344	5 GPM (18.9 LPM)	24V DC	No	EP/PP blend	EPDM	18A
R8510334	5 GPM (18.9 LPM)	24V DC	No	EP/PP blend	FKM	12A
R8600144	6 GPM (22.7 LPM)	12V DC	70 psi (4.8 bar)	EP/PP blend	EPDM	16A
R8600134	6 GPM (22.7 LPM)	12V DC	70 psi (4.8 bar)	EP/PP blend	FKM	18A
R8610144	6 GPM (22.7 LPM)	12V DC	No	EP/PP blend	EPDM	12A
R8610134	6 GPM (22.7 LPM)	12V DC	No	EP/PP blend	FKM	16A
R8600344	6 GPM (22.7 LPM)	24V DC	70 psi (4.8 bar)	EP/PP blend	EPDM	18A
R8600334	6 GPM (22.7 LPM)	24V DC	70 psi (4.8 bar)	EP/PP blend	FKM	12A
R8610344	6 GPM (22.7 LPM)	24V DC	No	EP/PP blend	EPDM	16A
R8610334	6 GPM (22.7 LPM)	24V DC	No	EP/PP blend	FKM	18A

Note: Some versions available with Polypropylene pumpheds. Please enquire with factory for details.

All models have no by-passes.

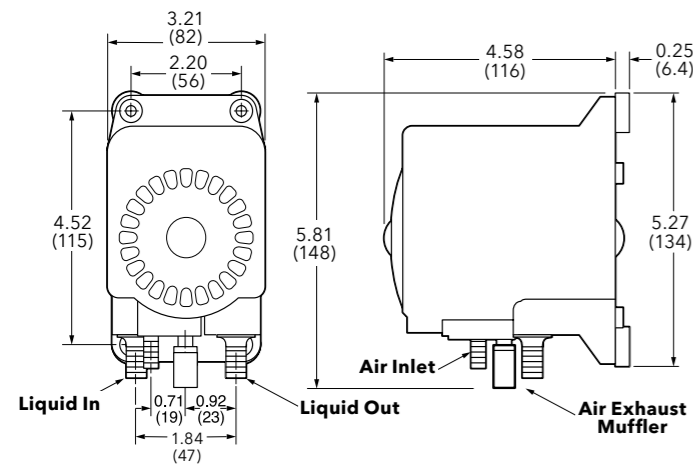
# G57 Series

## Air Driven



### DIMENSIONAL DRAWINGS

Unless otherwise stated, dimensions are in inches and (mm).



### FOR INTERNATIONAL & US MARKETS

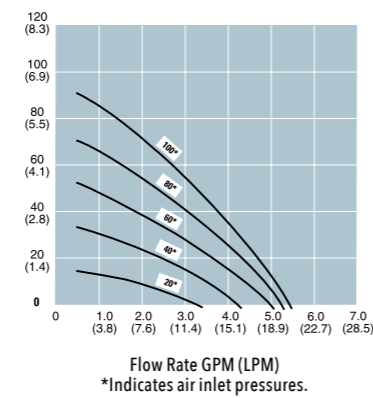
Innovative compact design features a patented shuttle valve that eliminates stalling and provides a long life. Features a chemically resistant polypropylene body with a choice of EP/PP blend, FKM or FFKM elastomers, as well as quick disconnect liquid and gas port fittings for easy installation.

### FEATURES

- Highest flow rate for any air pump of comparable size
- Stall-proof design with patented shuttle valve
- Easy installation with all quick disconnect ports
- Robust design with durable integral mounting
- Sanitary design with inset molded diaphragm
- Leak resistant radial seals, no critical O-ring seals
- Quiet operation with large exhaust muffler

### PERFORMANCE

EP/PP blend or FKM Material with 1/2" (13mm) Ports



### SPECIFICATIONS

<b>PUMP DESIGN</b>	Air-operated positive displacement double diaphragm pump
<b>MAX FLOW RATE</b>	5 GPM (18.9 LPM)
<b>PRESSURE</b>	20-100 psi (1.4-6.9 bar) (same as inlet air pressure)
<b>PORTS</b>	Liquid - 3/8" (10mm), 1.2" (13mm) and 3/4" (19mm) HB; 3/8" (10mm) and 1/2" (13mm) MNPT Air inlet - 1/4" (6mm) HB
<b>BODY</b>	Polypropylene
<b>DIAPHRAGM</b>	EP/PP blend, FKM, FFKM
<b>CHECK VALVES</b>	EP/PP blend, FKM, FKM Extreme
<b>CHECK VALVE SPRING</b>	Hasteloy C
<b>WEIGHT</b>	1.2lb (0.5kg)

# G57 Series

## MODELS

MODEL #	OPEN FLOW	DIAPHRAGM	CHECK VALVE	LIQUID FITTINGS	AIR INLET
G573000	5 GPM (18.9 LPM)	FKM	Polypropylene	None	None
G573205	5 GPM (18.9 LPM)	FKM	Polypropylene	3/8"-1/2" (10-13mm) HB ST	1/4" (6mm) HB brass
G573215	5 GPM (18.9 LPM)	FKM	Polypropylene	1/2" (13mm) HB ST	1/4" (6mm) HB brass
G573225	5 GPM (18.9 LPM)	FKM	Polypropylene	3/4" (19mm) HB ST	1/4" (6mm) HB brass
G573145	5 GPM (18.9 LPM)	FKM	Polypropylene	1/2" (13mm) OD JG	1/4" (6mm) HB brass
G573185	5 GPM (18.9 LPM)	FKM	Polypropylene	3/8" (10mm) MNPT ST	1/4" (6mm) HB brass
G573175	5 GPM (18.9 LPM)	FKM	Polypropylene	1/2" (13mm) MNPT ST	1/4" (6mm) HB brass
G575005	5 GPM (18.9 LPM)	EP/PP blend	Polypropylene	None	1/4" (6mm) HB brass
G575205	5 GPM (18.9 LPM)	EP/PP blend	Polypropylene	3/8" (10mm) HB ST	1/4" (6mm) HB brass
G575215	5 GPM (18.9 LPM)	EP/PP blend	Polypropylene	1/2" (13mm) HB ST	1/4" (6mm) HB brass
G575225	5 GPM (18.9 LPM)	EP/PP blend	Polypropylene	3/4" (19mm) HB ST	1/4" (6mm) HB brass
G575145	5 GPM (18.9 LPM)	EP/PP blend	Polypropylene	1/2" (13mm) OD JG	1/4" (6mm) HB brass
G575185	5 GPM (18.9 LPM)	EP/PP blend	Polypropylene	3/8" (10mm) MNPT ST	1/4" (6mm) HB brass
G575175	5 GPM (18.9 LPM)	EP/PP blend	Polypropylene	1/2" (13mm) MNPT ST	1/4" (6mm) HB brass
G57C002	5 GPM (18.9 LPM)	FFKM	Polypropylene	None	1/4" (6mm) HB brass
G57C202	5 GPM (18.9 LPM)	FFKM	Polypropylene	3/8"-1/2" (10-13mm) HB ST	1/4" (6mm) HB brass
G57C203	5 GPM (18.9 LPM)	FFKM	Polypropylene	3/8"-1/2" (10-13mm) HB ST	1/4" (6mm) HB EL brass
G57C212	5 GPM (18.9 LPM)	FFKM	Polypropylene	1/2" (13mm) HB ST	1/4" (6mm) HB brass
G57C213	5 GPM (18.9 LPM)	FFKM	Polypropylene	1/2" (13mm) HB ST	1/4" (6mm) HB EL brass
G57C222	5 GPM (18.9 LPM)	FFKM	Polypropylene	3/4" (19mm) HB ST	1/4" (6mm) HB brass
G57C223	5 GPM (18.9 LPM)	FFKM	Polypropylene	3/4" (19mm) HB ST	1/4" (6mm) HB EL brass
G57C182	5 GPM (18.9 LPM)	FFKM	Polypropylene	3/8" (10mm) MNPT ST	1/4" (6mm) HB brass
G57C172	5 GPM (18.9 LPM)	FFKM	Polypropylene	1/2" (13mm) MNPT ST	1/4" (6mm) HB brass
G57C152	5 GPM (18.9 LPM)	FFKM	Polypropylene	3/8" (10mm) OD JG	1/4" (6mm) HB brass
G57C412	5 GPM (18.9 LPM)	FFKM	Polypropylene	1/2" (13mm) OD JG	1/4" (6mm) HB brass

# G70 & G71 Series

## Air Driven



### FOR INTERNATIONAL & US MARKETS

This ATEX Certified Air operated pump is designed to be the ultimate in performance and reliability. Our robust design combines innovative features and relentless testing to offer a pump that has a long, trouble free service life.

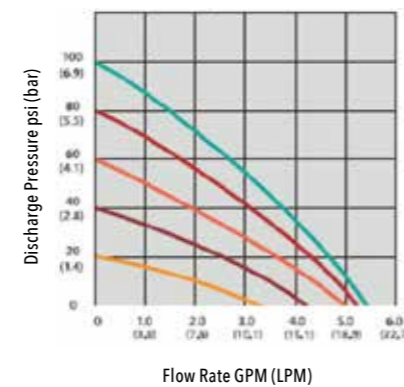
### FEATURES

- Capable of air inlet pressures up to 100 psi (6.9 bar)
- Robust design with durable integral mounting
- Patented shuttle valve eliminates stalling when used with dry air
- Capable of passing solids up to 1/8" (3.2mm) diameter easily with large clog-free check valves
- Corrosion resistant materials capable of handling a wide range of chemicals
- Leak resistant made from Viton® Extreme™ O-ring seals
- Ease of installation with all plug-in ports
- John Guest® hose barb, NPT and elbow configurations available
- Low air consumption compared with other pumps in its class

### APPLICATIONS

- Chemical transfer and dispensing
- Solvent applications
- Parts washers
- Ink transfer
- Car wash systems
- Any application requiring ATEX approval

### PERFORMANCE

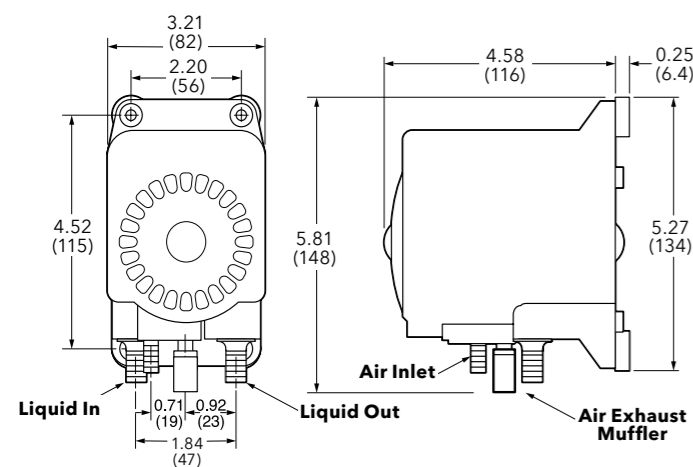


### SPECIFICATIONS

<b>PUMP DESIGN</b>	Air-operated positive displacement double diaphragm pump
<b>MAX FLOW RATE</b>	5 GPM (18.9 LPM)
<b>PRESSURE</b>	20-100 psi (1.4-6.9 bar) (same as inlet air pressure)
<b>PORTS</b>	Liquid - 3/8" (10mm), 1.2" (13mm) and 3/4" (19mm) HB; 3/8" (10mm) and 1/2" (13mm) MNPT Air inlet - 1/4" (6mm) HB
<b>BODY</b>	Polypropylene/nylon (G71)
<b>DIAPHRAGM</b>	FFKM
<b>CHECK VALVES</b>	Polypropylene/nylon (G71)
<b>CHECK VALVE SPRING</b>	Hasteloy C
<b>WEIGHT</b>	1.2lb (0.5kg)

### DIMENSIONAL DRAWINGS

Unless otherwise stated, dimensions are in inches and (mm).



# G70 & G71 Series

## MODELS

MODEL #	OPEN FLOW	DIAPHRAGM	CHECK VALVE	LIQUID FITTINGS	AIR INLET
G70C002	5 GPM (18.9 LPM)	FFKM	Polypropylene	None	1/4" (6mm) HB brass
G70C162	5 GPM (18.9 LPM)	FFKM	Polypropylene	3/8"-1/2" (10-13mm) HB ST & EL	1/4" (6mm) HB brass
G70C202	5 GPM (18.9 LPM)	FFKM	Polypropylene	3/8"-1/2" (10-13mm) HB ST	1/4" (6mm) HB brass
G70C222	5 GPM (18.9 LPM)	FFKM	Polypropylene	3/4" (19mm) HB ST	1/4" (6mm) HB brass
G70K002	5 GPM (18.9 LPM)	FFKM	Nylon	None	1/4" (6mm) HB brass
G70K162	5 GPM (18.9 LPM)	FFKM	Nylon	3/8"-1/2" (10-13mm) HB ST & EL	1/4" (6mm) HB brass
G70K202	5 GPM (18.9 LPM)	FFKM	Nylon	3/8"-1/2" (10-13mm) HB ST	1/4" (6mm) HB brass
G70K422	5 GPM (18.9 LPM)	FFKM	Nylon	3/8"-1/2" (10-13mm) HB ST	1/4" (6mm) HB brass
G71K002	5 GPM (18.9 LPM)	FFKM	Nylon	None	1/4" (6mm) HB brass
G71K162	5 GPM (18.9 LPM)	FFKM	Nylon	3/8"-1/2" (10-13mm) HB ST & EL	1/4" (6mm) HB brass
G71K202	5 GPM (18.9 LPM)	FFKM	Nylon	3/8"-1/2" (10-13mm) HB ST	1/4" (6mm) HB brass
G71K422	5 GPM (18.9 LPM)	FFKM	Nylon	3/8"-1/2" (10-13mm) HB ST	1/4" (6mm) HB brass

## INSTALLATION RECOMMENDATIONS

- Liquid inlet port must be equal to or larger than the liquid outlet port
- Rubber grommets are provided for secure snug fit on mounting. All four mounting holes should be used.

# N5100 Series

Air Driven



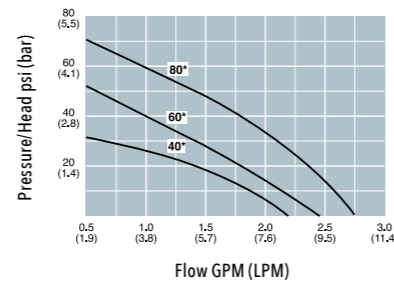
## FOR INTERNATIONAL & US MARKETS

Flojet air-operated diaphragm pumps offer excellent self-priming capability. Pumps can be located above the supply tank. A suction-side foot valve is recommended for best operation. Liquid pressure is regulated by supply air pressure. No bypass or pressure relief plumbing is necessary. Choice of EP/PP blend, Buna, or FKM elastomers provide a wide range of chemical compatibility. Quick disconnect liquid and gas port fittings provide easy installation.

### FEATURES

- Compact design with plug-in hose connections for quick installation
- Variety of elastomers to ensure chemical compatibility
- Variable capacity from zero to the maximum flow
- No pressure relief or bypass plumbing required
- Excellent self-priming; pump may be located above the liquid level

### PERFORMANCE



### MODELS

MODEL #	CE	OPEN FLOW	DIAPHRAGM	CHECK VALVE
N5100010	Yes	2.5 GPM (9.5 LPM)	Buna	Buna
N5100020	Yes	2.5 GPM (9.5 LPM)	FKM	FKM
N5100040	Yes	2.5 GPM (9.5 LPM)	EP/PP blend	EP/PP blend
N5100050	Yes	2.5 GPM (9.5 LPM)	Buna/PP blend	Buna/PP blend
N5100500*	Yes	2.5 GPM (9.5 LPM)	EP/PP blend	EP/PP blend

\*Teflon O-ring

### SPECIFICATIONS

<b>PUMP DESIGN</b>	Air-operated positive displacement double diaphragm pump
<b>MAX FLOW RATE</b>	2.5 GPM (9.5 LPM)
<b>PRESSURE</b>	20-75 psi (1.4-5.5 bar)
<b>SELF-PRIMING</b>	28' (8.5m) dry, 32' (9.8m) wet
<b>PORTS</b>	Liquid - 3/8" (10mm), Air - 1/4" (6mm)
<b>LIQUID FITTINGS</b>	3/8" (10mm) HB ST
<b>AIR INLET/OUTLET</b>	1/4" (6mm) HB ST
<b>WETTED PARTS</b>	Buna, EP/PP blend, buna/PP blend or FKM for diaphragms and valves; acetal copolymer for housing
<b>GAS/AIR CONSUMPTION</b>	Air supply must be oil-free and dry 40 psi at 1 GPM - 0.5 CFM, 60 psi at 1 GPM - 0.6 CFM, 80 psi at 1 GPM - 0.8 CFM

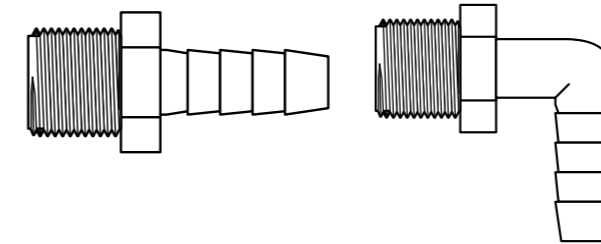
IOM #81000-363

# Accessories & Fittings

## Electric Pump Fittings

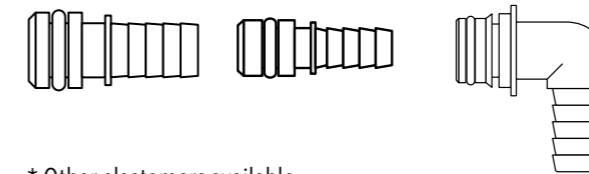
### NYLON BARBED STRAIGHT/ELBOW

For use with all Duplex II Series pumps (3/8" [10mm] NPT only).



### PLASTIC (POLYPROPYLENE, EPDM)\* INLETS & OUTLETS

For use with all Triplex, Quad and G57 Series pumps.



\* Other elastomers available.

## FOR INTERNATIONAL & US MARKETS

### MODELS

PART # (STRAIGHT)	PART # (ELBOW)	DESCRIPTION
91010-032	91010-033	3/8" (10mm) NPTM x 1/4" (6mm) barb
91010-004	91010-003	1/4" (6mm) NPTM x 3/8" (10mm) barb
91010-002	91010-001	3/8" (10mm) NPTM x 3/8" (10mm) barb
91010-034	91010-025	1/4" (6mm) NPTM x 3/8" (10mm) barb
91010-006	91010-005	3/8" (10mm) NPTM x 1/2" (13mm) barb
91010-053	91010-052	1/4" (6mm) NPTM x 1/4" (6mm) barb
91006-477A	N/A	Wire harness 9' (3m) with fuse rocker switch and in-line connector

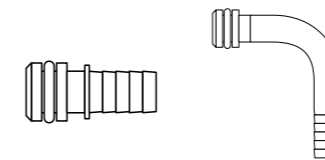
### MODELS

PART # (STRAIGHT)	PART # (ELBOW)	DESCRIPTION
20381-000	20381-008	Quad port x 1/2" (13mm) - 14 male straight
20381-002	20381-009	Quad port x 1/2" (13mm) hose barb
20381-006	20381-010	Quad port x 3/4" (19mm) hose barb
20381-007	N/A	Quad port x garden hose adapter

## Gas Pump Fittings and LFP Fittings

### STAINLESS STEEL INLETS & OUTLETS (LIQUID FITTINGS)

For use with all 5100 Series pumps.



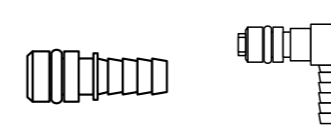
### BRASS CO<sub>2</sub>/AIR INLETS WITH SHUT-OFF VALVE (AIR FITTINGS)

For use with all 5100 and G Series pumps.



### PLASTIC (CELCON) CO<sub>2</sub>/AIR INLETS

For use with all 5100 and G Series pumps.



### MODELS

PART # (STRAIGHT)	PART # (ELBOW)	DESCRIPTION
20324-030	20607-100	1/4" (6mm) hose barb
20325-030	20608-100	3/8" (10mm) hose barb
20606-100	N/A	1/2" (13mm) hose barb

### MODELS

PART #	DESCRIPTION
1510-000	1/4" (6mm) hose barb, straight
1520-000	1/4" (6mm) hose barb, tee
1521-000	1/4" (6mm) hose barb, elbow

### MODELS

PART #	DESCRIPTION
20325-033	1/4" (6mm) hose barb, straight

# Iconography

The industry-specific icons shown here serve the same purpose as road signs: They are designed to help navigate through this catalog. The signs help to give direction and, hopefully, a better understanding of the products Xylem offers.

## PRIMARY MARKETS



### AGRICULTURAL SPRAYING

Many applications around the farm that require spraying; from crop/tree spraying to teat spraying. Product groups with this icon are designed to have the pressure and flow required for such applications.



### ROAD COMPACTION

Products in this category are particularly suited to road compaction vehicles where liquid spraying is required.



### CAR WASH

Pumps designed for car washes are ideally suited for pumping both water and chemicals.



### WATER

This symbol represents certain products for use with water transfer, water spraying or water systems.



### AUTOMOTIVE

Pumps used in this application are perfect for the garage and also for washing car brakes, transmission fluid transfer, brake fluid change out and windshield washing.



### DIESEL REFUELING

Products with this logo have been specifically designed for diesel refueling where durability and speed are key.



### CHEMICAL TRANSFER

Products with this symbol are designed specifically for the harshness of a chemical transfer and to handle a full range of chemicals.



### FORESTRY

Refueling pumps are used on forestry machines (Harvesters and Forwarders) where environmental considerations are important. Pumps with this icon offer valves and auto shut-off devices.



### CONSTRUCTION

This icon represents products for the asphalt street sweepers, asphalt paving machines, chemical injection into concrete pouring systems and concrete cutting machines.



### GENERAL PURPOSE

These products have a large range of attributes from high volume water transfer to pumping chemicals.



### FLOOR CARE

Pumps shown with this icon are used in commercial and consumer rental carpet cleaning machines, self-propelled hard surface scrubbers, water dumping systems and carpet pre-treat sprayers.

# Xylem |'zīləm|

- 1) The tissue in plants that brings water upward from the roots;
- 2) a leading global water technology company.

We're a global team unified in a common purpose: creating advanced technology solutions to the world's water challenges. Developing new technologies that will improve the way water is used, conserved, and re-used in the future is central to our work. Our products and services move, treat, analyze, monitor and return water to the environment, in public utility, industrial, residential and commercial building services, and agricultural settings. With its October 2016 acquisition of Sensus, Xylem added smart metering, network technologies and advanced data analytics for water, gas and electric utilities to its portfolio of solutions. In more than 150 countries, we have strong, long-standing relationships with customers who know us for our powerful combination of leading product brands and applications expertise with a strong focus on developing comprehensive, sustainable solutions.

**For more information on how Xylem can help you, go to [www.xylem.com](http://www.xylem.com)**

## **FLOJET** a xylem brand

### UNITED STATES

100 Cummings Center Dr.  
Suite 535-N  
Beverly, MA 01915  
Tel: +1 978 281 0440  
Fax: +1 978 283 2619

17942 Cowan  
Irvine, CA 92614  
Tel: +1 949 608 3900  
Fax: +1 949 608 3888

### UNITED KINGDOM

Bingley Road, Hoddesdon  
Hertfordshire EN11 0BU  
Tel: +44 1992 450145  
Fax: +44 1992 467132

### GERMANY

Oststraße 28  
22844 Norderstedt  
Tel: +49 40 53 53 730  
Fax: +49 40 53 53 73 11

### ITALY

Via Tommaseo, 6, 20059  
Vimercate, Milano  
Tel: +39 039 6852323  
Fax: +39 039 666307

### CHINA

32/F Tower A, Hongqiao  
City Center of Shanghai  
100 Zunyi Road  
Shanghai 200051  
Tel: +86 21 2208 2888  
Fax: +86 21 2208 2999



**TECHNIQUES DES FLUIDES**  
7 rue de la Fosse aux Loups  
95100 ARGENTEUIL  
Tel. : 01 34 11 13 73  
Fax : 01 34 11 96 35  
[www.techniquesfluides.fr](http://www.techniquesfluides.fr)



#### ACCURACY AND COMPLETENESS OF INFORMATION

All information in this literature regarding products and services provided by Xylem and its product brands is subject to change without prior notice. Reasonable efforts are taken to ensure the accuracy and integrity of all information provided here, but Xylem and its product brands is not responsible for misprints, out-of-date information, or errors. Xylem and its product brands makes no warranty, express or implied, or assumes any legal liability or responsibility for the accuracy or completeness of any information contained in this literature.

Jabsco, Flojet and Rule are trademarks of Xylem Inc. or one of its subsidiaries.  
Santoprene and Geolast are trademarks of Exxon Mobile Corporation  
Kalrez and Viton are trademarks of DuPont Performance Elastomers L.L.C.  
© 2017 Xylem, Inc. F100-461 REV B September 2017